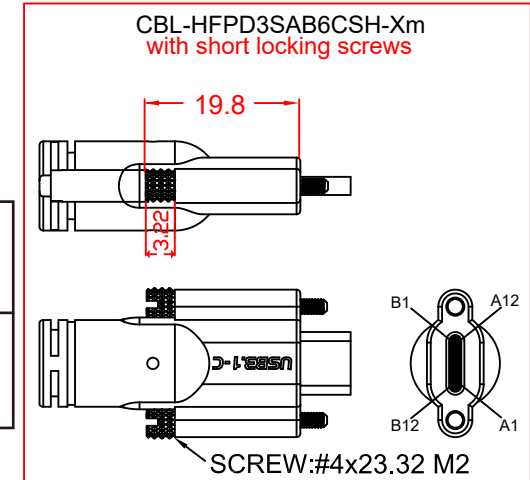
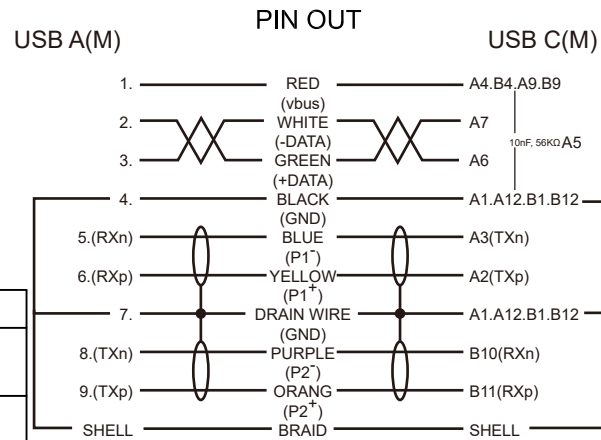


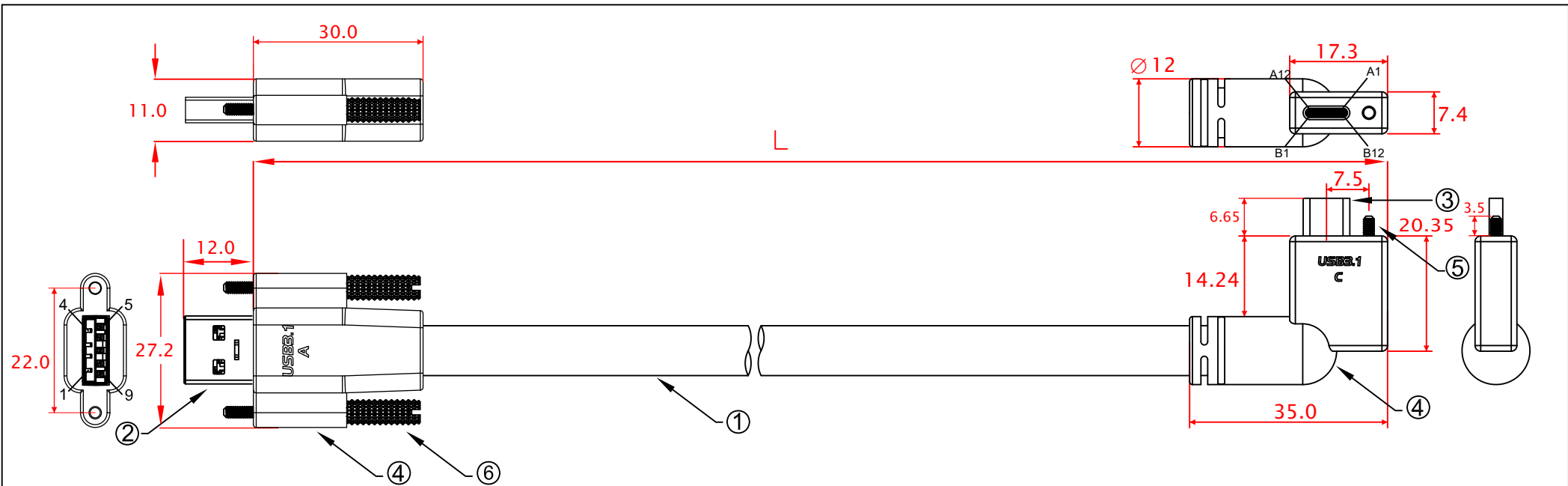
L:

CBL-HFPD3SAB6CSS-1m	1000mm±10mm
CBL-HFPD3SAB6CSS-2m	2000mm±20mm
CBL-HFPD3SAB6CSS-3m	3000mm±20mm
CBL-HFPD3SAB6CSS-4m	4000mm±30mm
CBL-HFPD3SAB6CSS-5m	5000mm±30mm

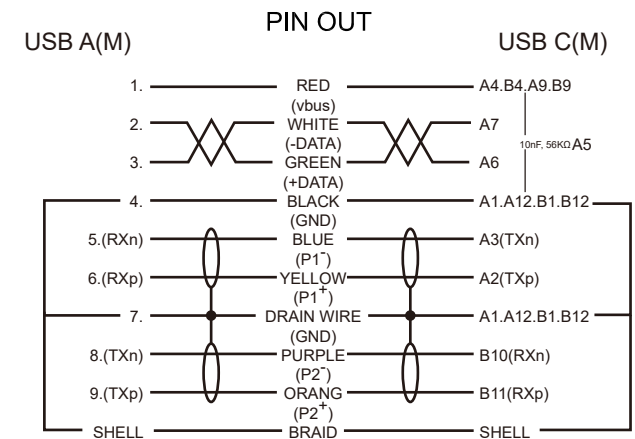


No	MATERIALS LIST:
1.	CABLE: 3 x (2 x 24 AWG)ST + 2 x 22 AWG O.D.:8.8mm COLOR:RED LILAC
2.	CONNECTOR:USB 3.0 A/M, 9P, BLUE INSULATOR SOLDER TYPE, NICKEL PLATED SHELL
3.	CONNECTOR:USB 3.1 TYPE-C, MALE, NICKEL PLATED SHELL
4.	PVC MOLDED HOUSING, BLACK COLOR
5.	SCREW:#4x33 M2
6.	SCREW:#4x34.5 M2

Jargy part no.	Client part no.	Approved	SCALE	UNIT
CBL-HFPD3SAB6CSS-xm				mm
Drawing Name		Drawn	Date	REV.
USB 3.1 GEN 1 A to C Cable M/M				1.0

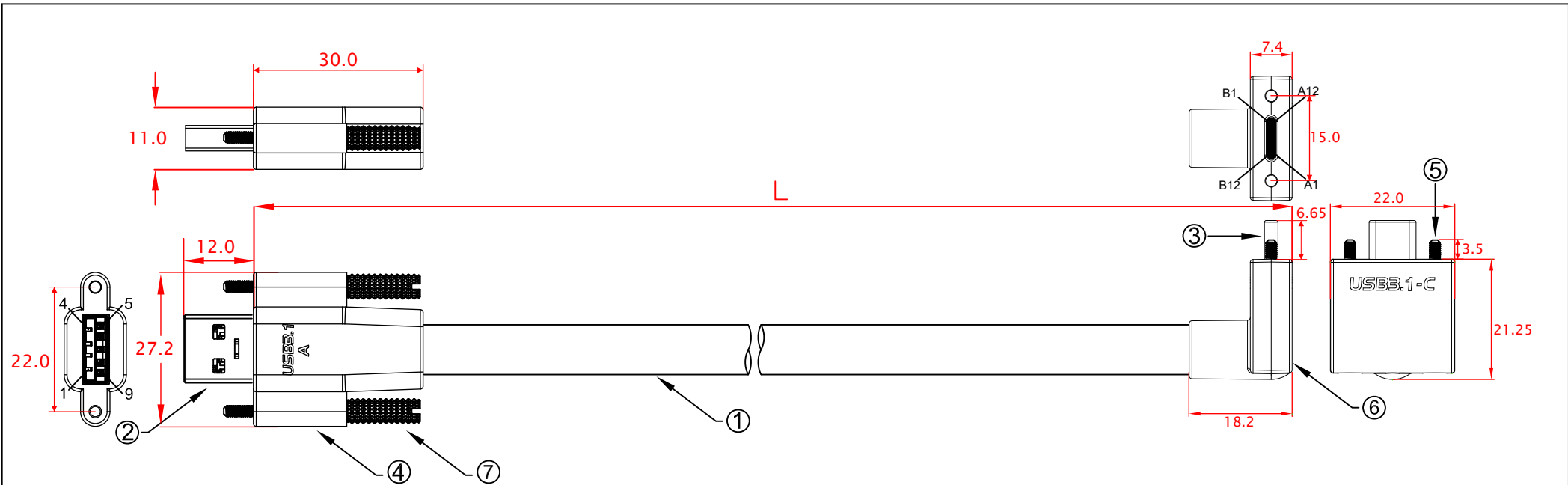


- L:
- CBL-HFPD3SAB6CSH-1mLRA 1000mm±10mm
  - CBL-HFPD3SAB6CSH-2mLRA 2000mm±20mm
  - CBL-HFPD3SAB6CSH-3mLRA 3000mm±20mm
  - CBL-HFPD3SAB6CSH-4mLRA 4000mm±30mm
  - CBL-HFPD3SAB6CSH-5mLRA 5000mm±30mm

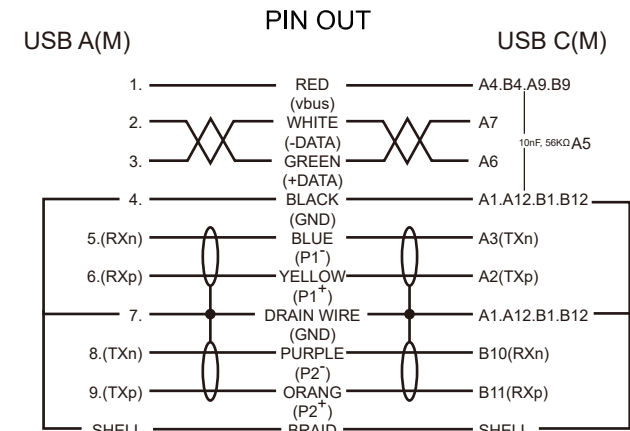


No	MATERIALS LIST:
1.	CABLE: 3 x (2 x 24 AWG)ST + 2 x 22 AWG O.D.:8.8mm COLOR:RED LILAC
2.	CONNECTOR:USB 3.0 A/M, 9P, BLUE INSULATOR SOLDER TYPE, NICKEL PLATED SHELL
3.	CONNECTOR:USB 3.1 TYPE-C, MALE, NICKEL PLATED SHELL
4.	PVC MOLDED HOUSING, BLACK COLOR
5.	SCREW:#4x23.32 M2
6.	SCREW:#4x34.5 M2

Jargy part no.	Client part no.	Approved	SCALE	UNIT
CBL-HFPD3SAB6CSH-xmLRA				mm
Drawing Name		Drawn	Date	REV.
USB 3.1 GEN 1 A to C Cable M/M				1.0



- L:  
 CBL-HFPD3SAB6CSH-1mUDA 1000mm±10mm  
 CBL-HFPD3SAB6CSH-2mUDA 2000mm±20mm  
 CBL-HFPD3SAB6CSH-3mUDA 3000mm±20mm  
 CBL-HFPD3SAB6CSH-4mUDA 4000mm±30mm  
 CBL-HFPD3SAB6CSH-5mUDA 5000mm±30mm



No	MATERIALS LIST:
1.	CABLE: 3 x (2 x 24 AWG)ST + 2 x 22 AWG O.D.:8.8mm COLOR:RED LILAC
2.	CONNECTOR:USB 3.0 A/M, 9P, BLUE INSULATOR SOLDER TYPE, NICKEL PLATED SHELL
3.	CONNECTOR:USB 3.1 TYPE-C, MALE, NICKEL PLATED SHELL
4.	PVC MOLDED HOUSING, BLACK COLOR
5.	SCREW:#4x23.32 M2
6.	ABS ASSEMBLY HOUSING, BLACK COLOR
7.	SCREW:#4x34.5 M2

Jargy part no.	Client part no.	Approved	SCALE	UNIT
CBL-HFPD3SAB6CSH-xmUDA				mm
Drawing Name		Drawn	Date	REV.
USB 3.1 GEN 1 A to C Cable M/M				1.0